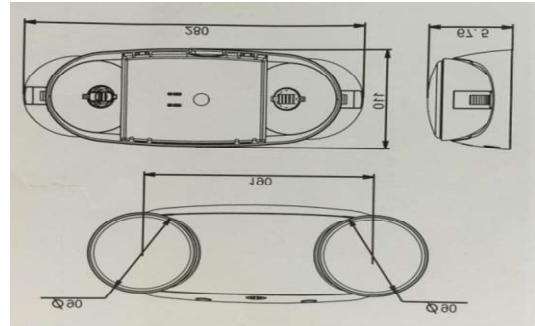




PERFECTLIGHTNING
www.perfectlightning.com

PL-0323



Product Name: UL Approved Twin Head LED Emergency Light

Model No: PL-0323

Product Size: 280*110*67.5mm

UL Number: E480534

Features:

- UL Approved Twin Head LED Emergency Light
- SMT LED Type 2835, 1.2W per head
- Injection-molded thermoplastic ABS housing UL94V-0 flame rating, fire-retardant
- 120/277 VAC dual voltage operation, LED indicator light and push button test switch
- Nickel-cadmium battery (3.6V 1000mAh) delivers more than 90-minute capacity on emergency mode
- Low voltage battery disconnection-preventing deep discharge damage to the battery
- Universal mounting plate with EZ quick connect for rapid installation.

TECHNICAL DATA:

- Mode of Operation: Non-maintained
- Input Voltage: 120/277VAC 60HZ
- Battery: 3.6V 1000mAh Nickel Cadmium Battery
- Suitable Damp Location
- Operating Temperature: 0°C~40°C
- Indication: Red LED
- Backup Time: ≥90minutes
- Compliance: UL E480534
- Protection: Low-Voltage Cut-Off to prevent Over-Discharge of Battery
- Option: Remote capability supports total 2.4W output