



**PERFECTLIGHTNING**  
www.perfectlightning.com

# PLPAA100

## Aluminum Rainproof Meter Breaker Panel



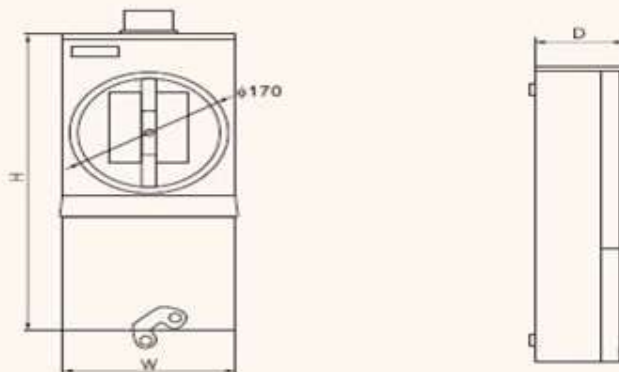
### Features

- Standard meter sockets are manufactured from 1.2-1.5mm aluminum
- The meter socket is suitable for single phase, service voltage 120/240Vac .
- Ample gutter space for easy wiring.
- Convenient knockouts in side back and bottom.
- Lay in type terminals with pressure plates for easy connections.
- Meter sockets are designed to accept conduit hubs from 1" to 2-1/2" size.
- Meter socket accept for GE type circuit breakers.

### Specification

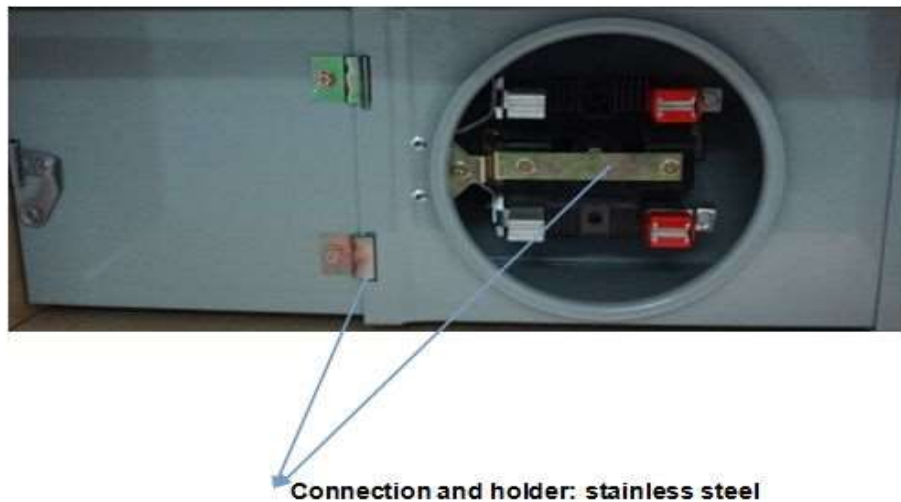
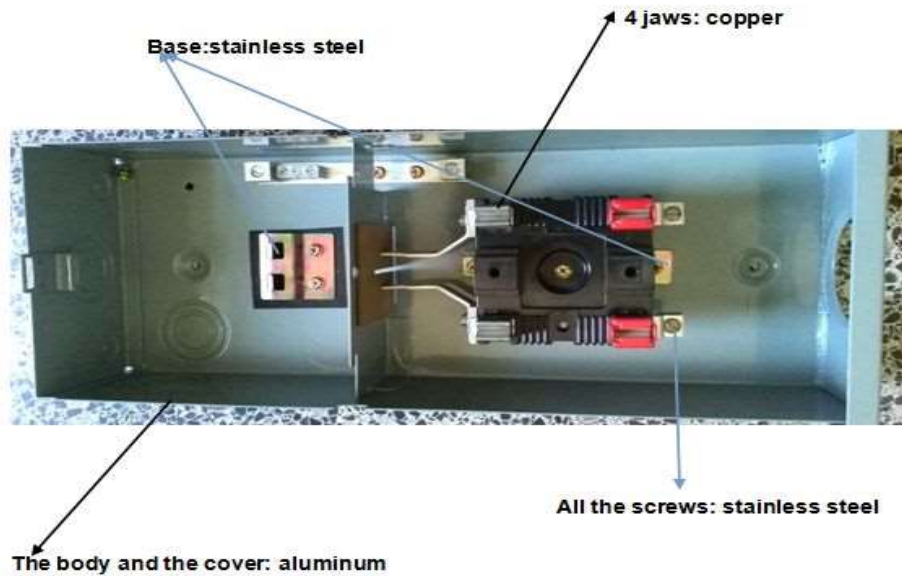
Description	Outline Dimensions			Match Breaker
	H	W	D	
1 Phase, 125A ,4 jaw, ring type	515	188	114	THQL 2P

### Outline Dimensions





**PERFECTLIGHTNING**  
www.perfectlightning.com



1. Maximum Current Load is 125Amps. Line 1 $\Phi$  2W / 1 $\Phi$ 3w, 120/240VAC
2. INSULATION RESISTANCE
  - Circuit must be energized with 500 VCD during one minute
3. LEAKAGE CURRENT
  - Leakage current calculated, must not be higher than 0.5mA
4. AC DIELECTRIC RESISTANCE TO TENSION (DIELECTRIC RIGIDITY)
  - Disruptive shocks, flames or electric arcs must not be produced during the test.
  - Circuit must be energized with 1000 VCA during one minute.